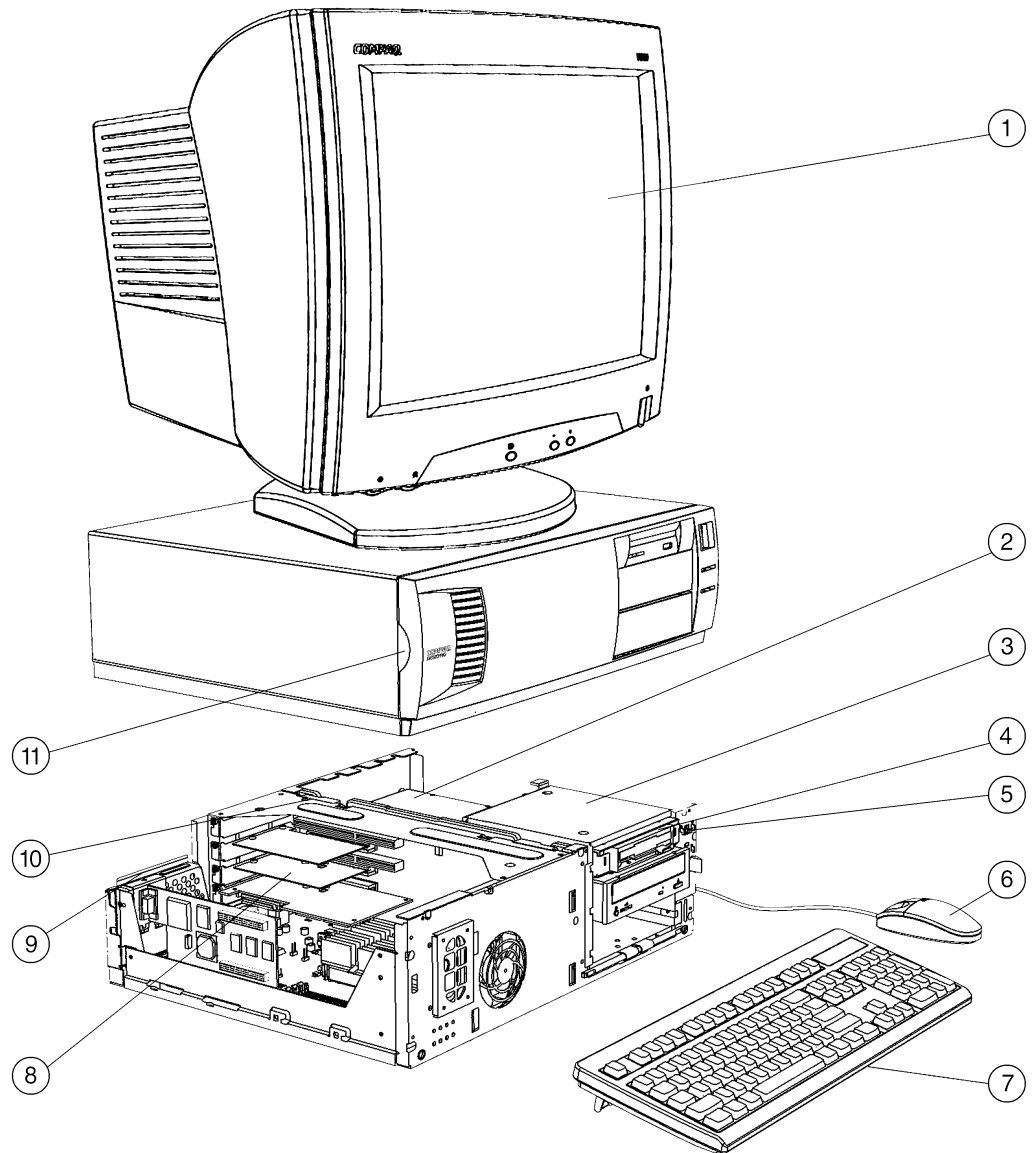


Overview

AT A GLANCE

- 66- or 100-MHz Front Side Bus models
- Intel Pentium® III processors (100 MHz) 450, 500, 550 or 600 MHz
- Intel Pentium II processors (100 MHz) 400 or 450 MHz
- Intel Celeron™ processors (66 MHz) 400 or 500 MHz
- ECC memory standard on SCSI models
- Compaq Premier•Sound™
- AC97 Audio is available on 810 chipset models
- Compaq Intelligent Manageability
- Service-friendly design including Quick Release Cover Latches, Expansion Card Cage with Lift Levers, Tilt Drive Cage and Slide Out System Board
- Windows 95 or NT 4.0 pre-installed (model dependent)
- Protected by Compaq Services, including a three-year, Limited Warranty¹



- | | |
|---|--|
| 1. V900 Color Monitor ² (optional) | 7. Enhanced Keyboard |
| 2. 200-Watt Power Supply | 8. Expansion Slots |
| 3. Tilt Drive Cage | 9. Slide-Out System Board |
| 4. 1.44-MB Diskette Drive | 10. Expansion Card Cage with Lift Levers |
| 5. Dual-State Power Button | 11. Quick Release Cover Latches |
| 6. Mouse | |

QUICK SPECS

Compaq Deskpro EN Series
Desktop

Standard Features

MODELS

Deskpro EN Series Desktop No NIC Models

6550+/6400
(64 MB)
122785-002

6500+/6400
(64 MB)
386182-006

6450+/6400
(64 MB)
386181-006

6400X/6400
(32 MB)
178930-005

C500/6400
(64 MB)
150235-004

C400/6400
(64 MB)
388680-002

C400/4300
(32 MB)
127523-002

NIC Models

6600+/10000/CDS
(64 MB, NIC)
154884-005

6600+/10000
(64 MB, NIC)
154884-003

6600+/10000
(64 MB, NIC)
154884-002

6550+/10000/CDS
(64 MB, NIC)
150236-002

6550+/6400
(64 MB, NIC)
122785-005

(continued next page)

Front Side Bus

100-MHz models

6600+/10000/CDS
6600+/10000
6600+/10000
6550+/10000/CDS
6550+/6400
6500+/10000/CDS
6500+/6400
6450+/6400
6450+/9100/CDS
6450X/10000/CDS
6400X/6400/CDS
6400X/6400
6400X/4300/CDS
6400X/4300

66-MHz models

C500/6400
C400/6400
C400/4300

Processor

Intel Pentium III processor 600 MHz

6600+/10000/CDS
6600+/10000

Intel Pentium III processor 550 MHz

6550+/10000/CDS
6550+/6400

Intel Pentium III processor 500 MHz

6500+/10000/CDS
6500+/6400

Intel Pentium III processor 450 MHz

6450+/9100/CDS
6450+/6400

Intel Pentium II processor 450 MHz

6450X/10000/CDS

Intel Pentium II processor 400 MHz

6400X/6400/CDS
6400X/6400
6400X/4300/CDS
6400X/4300

Standard Features

MODELS *(continued)* NIC Models *(continued)*

6550+/6400
(64MB, NIC)
122785-004

6500+/10000/CDS
(64 MB, NIC)
386182-005

6500+/6400
(64 MB, NIC)
386182-009

6500+/6400
(64 MB, NIC)
386182-007

6450+/6400
(64 MB, NIC)
386181-009

6450+/6400
(64 MB, NIC)
386181-007

6450X/10000/CDS
(64 MB, NIC)
178940-006

6450X/10000/CDS
(64 MB, NIC)
178940-007

6400X/6400/CDS
(64 MB, NIC)
178930-003

6400X/6400/CDS
(64 MB, NIC)
178930-002

6400X/4300
(32 MB, NIC)
129218-003

C500/6400
(64 MB, NIC)
144495-005

C400/6400
(64 MB, NIC)
388680-003

Processor *(continued)*

Intel Celeron processor 500 MHz
C500/6400

Intel Celeron processor 400 MHz
C400/6400
C400/4300

Cache Memory

512-KB ECC L2

6600+/10000/CDS
6600+/10000
6550+/10000/CDS
6550+/6400
6500+/10000/CDS
6500+/6400
6450+/9100/CDS
6450+/6400
6450X/10000/CDS
6400X/6400/CDS
6400X/6400
6400X/4300/CDS
6400X/4300

The L2 cache on Celeron models is attached to the processor core and runs at the same core processor frequency, providing more efficient productivity and performance.

128-KB ECC L2

C500/6400
C400/6400
C400/4300

Upgradability

Allows for upgrade of processor, memory, graphics and hard drive

Memory

Standard	64 MB
Maximum ³	768 MB

6600+/10000/CDS
6600+/10000
6550+/10000/CDS
6550+/6400
6500+/10000/CDS
6500+/6400
6450+/9100/CDS
6450+/6400
6450X/10000/CDS
6400X/6400/CDS
6400X/4300/CDS
C500/6400
C400/6400

Standard	32 MB
Maximum ³	768 MB

6400X/6400
6400X/4300
C400/4300

QUICK SPECS

Compaq Deskpro EN Series
Desktop

Standard Features

MODELS (continued)

NIC and SCSI Drive Models with ECC Memory

6450+/9100/CDS
(64 MB, NIC, SCSI)
386181-004

6400X/4300/CDS
(64 MB, NIC, SCSI)
326400-002

6350X/4300/CDS
(64 MB, NIC, SCSI)
326300-003

Network Controller

Intel PRO/100+ Management Adapter

6600+/10000/CDS
6600+/10000
6550+/10000/CDS
6550+/6400
6500+/10000/CDS
6500+/6400
6450+/9100/CDS
6450+/6400
6450X/10000/CDS
6400X/4300
6400X/6400/CDS
6400X/4300/CDS
C500/6400

Compaq 10/100 TX PCI Intel WOL UTP Controller⁴

C400/6400

Expansion Slots (Total/Available)

PCI 2/2
PCI/ISA 2/2
AGP 1/0

6550+/6400
6500+/6400
6450+/6400
6400X/4300
C500/6400
C400/6400
C400/4300

PCI 2/1
PCI/ISA 2/2
AGP 1/0

6600+/10000/CDS
6600+/10000
6550+/10000/CDS
6550+/6400
6500+/10000/CDS
6500+/6400
6450+/6400
6450X/10000/CDS
6400X/6400/CDS
6400X/4300
C500/6400
C400/6400

PCI 2/0
PCI/ISA 2/2
AGP 1/0

6450+/9100/CDS
6400X/4300/CDS

Standard Features

Expansion Bays (Total/Available)

Internal 1/0

External 3/2

6600+/10000

6550+/6400

6500+/6400

6400X/6400

6400X/4300

C500/6400

C400/6400

C400/4300

Internal 1/0

External 3/1

6600+/10000/CDS

6550+/10000/CDS

6500+/10000/CDS

6450+/9100/CDS

6450X/10000/CDS

6400X/6400/CDS

6400X/4300/CDS

Storage

Diskette Drive 1.44 MB (3.5 in)

CD-ROM Drive

32X Max⁵ Trayload CD-ROM

6600+/10000/CDS

6550+/10000/CDS

6500+/10000/CDS

6450+/9100/CDS

6450X/10000/CDS

6400X/6400/CDS

6400X/4300/CDS

Hard Drives

6.4-GB⁶ SMART II Ultra ATA 66

C500/6400

10-GB⁶ SMART II Ultra ATA

6600+/10000/CDS

6600+/1000

6550+/10000/CDS

6500+/10000/CDS

6450X/10000/CDS

6.4-GB⁶ SMART II Ultra ATA

6550+/6400

6500+/6400

6450+/6400

6400X/6400/CDS

6400X/6400

C500/6400

C400/6400

Standard Features

Storage (continued)

4.3-GB⁶ SMART II Ultra ATA
6400X/4300
C400/4300

9.1-GB⁶ SMART II Wide UltraSCSI
6450+/9100/CDS

4.3-GB⁶ SMART II Wide UltraSCSI
6400X/4300/CDS

Interfaces

Parallel	1
Serial	2
Pointing Device (mouse)	1
Graphics	1
RJ-45	1
6600+/10000/CDS	
6600+/10000	
6550+/10000/CDS	
6550+/6400	
6500+/10000/CDS	
6500+/6400	
6450+/6400	
6450+/9100/CDS	
6450X/10000/CDS	
6400X/6400/CDS	
6400X/4300/CDS	
6400X/4300	
C500/6400	
C400/6400	
RJ-45	0
6550+/6400	
6500+/6400	
6450+/6400	
6400X/6400	
C500/6400	
C400/6400	
C400/4300	
USB	2
SCSI	1
6450+/9100/CDS	
6400X/4300/CDS	
SCSI	0
6600+/10000/CDS	
6600+/10000	
6550+/10000/CDS	
6550+/6400	
6450X/10000/CDS	
6400X/6400/CDS	
6400X/6400	
6400X/4300	
C500/6400	
C400/6400	
C400/4300	

Standard Features

Graphics

ATI RAGE PRO TURBO AGP 2X Graphics Controller card with 8-MB SDRAM standard, not upgradable, providing maximum resolution of 1280 x 1024 x 16.7M colors at 85 Hz

6600+/10000/CDS

6600+/10000

6550+/10000/CDS

6550+/6400

6500+/10000/CDS

6500+/6400

6450+/9100/CDS

6450+/6400

6450X/10000/CDS

6400X/6400/CDS

6400X/4300/CDS

ATI RAGE PRO TURBO AGP 2X Graphics Controller card with 4-MB SGRAM standard, upgradable to 8-MB, providing maximum resolution of 1280 x 1024 x 16.7M colors at 85 Hz

C400/6400

ATI RAGE PRO TURBO AGP Graphics Controller card with 4-MB SGRAM standard, not upgradable, providing maximum resolution of 1280 x 1024 x 16.7M colors at 85 Hz

6400X/6400

6400X/4300

C400/4300

Intel 3D Graphics (integrated) with 4-MB video cache (not upgradable) plus dynamic main memory allocation providing maximum resolution of 1280 x 1024 x 16.7M colors at 85 Hz

C500/6400

Standard Features

Audio

Compaq *Premier*•*Sound* using ESS 1869 16-bit Full-Duplex audio, input/output jacks, internal speaker

6600+/10000/CDS

6600+/10000

6600+/10000

6550+/10000/CDS

6550+/6400

6500+/10000/CDS

6500+/6400

6450+/6400

6450+/9100/CDS

6450X/10000/CDS

6400X/6400/CDS

6400X/6400

6400X/4300/CDS

6400X/4300

C500/6400

C400/6400

C400/4300

AC97 with Compaq *Premier*•*Sound* (integrated)

Input/output jacks

Internal speaker

C500/6400

Software

Windows NT Workstation 4.0

Insight Personal Edition

Diagnostics for Windows

Microsoft Internet Explorer

Safety and Comfort Guide

Intelligent Manageability Agent

6600+/10000/CDS

6600+/10000

6550+/10000/CDS

6550+/6400

6500+/10000/CDS

6500+/6400

6450+/6400

6450+/9100/CDS

6450X/10000/CDS

6400X/6400/CDS

6400X/4300/CDS

Standard Features

Software (continued)

Windows 95
Insight Personal Edition
Diagnostics for Windows
Microsoft Internet Explorer
Safety and Comfort Guide
Intelligent Manageability Agent

6600+/10000
6550+/6400
6500+/6400
6450+/6400
6450X/10000/CDS
6400X/6400/CDS
6400X/6400
6400X4300
C500/6400
C400/6400
C400/4300

Intelligent Manageability

Intelligent Manageability combines innovative hardware technology with PC LAN management tools from Compaq and other leading vendors to make Compaq computers easier to inventory, troubleshoot, protect and maintain. Intelligent Manageability gives you the tools you need, such as Net PC technologies, to manage configuration, security, integration and system faults from a single point. For more information, visit our website: www.compaq.com/im.

Security

Setup password
Memory Change Alert
Ownership Tag
QuickLock/QuickBlank
Power-On Password
Removable Media Boot Control
Removable Media Write Control
Serial Port Control
Parallel Port Control
USB Port Control
Network Server Mode
Smart Cover Lock
Smart Cover Sensor

Power Supply

200 Watts

Service and Support

Compaq Restore CD and operating system media are provided with every desktop for ease of reinstallation of original software image if necessary. It is protected by Compaq Services, including a three-year, Limited Warranty¹ with first year, on-site, toll-free 7 x 24 hardware technical phone support and online support through CompuServe, America Online and the Internet.

Options

Memory⁷

100-MHz SDRAM DIMMs

SDRAM

256-MB Memory Kit (1 x 256-MB SDRAM DIMM, 100 MHz)	102306-B21
128-MB Memory Kit (1 x 128-MB SDRAM DIMM, 100 MHz)	166614-B21
64-MB Memory Kit (1 x 64-MB SDRAM DIMM, 100 MHz)	166613-B21
32-MB Memory Kit (1 x 32-MB SDRAM DIMM, 100 MHz)	166612-B21
16-MB Memory Kit (1 x 16-MB SDRAM DIMM, 100 MHz)	166611-B21

Bulk⁸

64-MB Memory Kit (bulk) (1 x 64-MB SDRAM DIMM, 100 MHz)	294218-B21
32-MB Memory Kit (bulk) (1 x 32-MB SDRAM DIMM, 100 MHz)	294216-B21
16-MB Memory Kit (bulk) (1 x 16-MB SDRAM DIMM, 100 MHz)	294214-B21

SDRAM ECC

256-MB Memory Kit (1 x 256-MB SDRAM ECC, 100 MHz)	102307-B21
128-MB Memory Kit (1 x 128-MB SDRAM ECC, 100 MHz)	166618-B21
64-MB Memory Kit (1 x 64-MB SDRAM ECC, 100 MHz)	166617-B21
32-MB Memory Kit (1 x 32-MB SDRAM ECC, 100 MHz)	166616-B21
16-MB Memory Kit (1 x 16-MB SDRAM ECC, 100 MHz)	166615-B21

Bulk⁸

64-MB Memory Kit (bulk) (1 x 64-MB SDRAM ECC, 100 MHz)	294219-B21
32-MB Memory Kit (bulk) (1 x 32-MB SDRAM ECC, 100 MHz)	294217-B21
16-MB Memory Kit (bulk) (1 x 16-MB SDRAM ECC, 100 MHz)	294215-B21

Monitors²

TFT8000 Flat Panel	307906-001
TFT5000 Flat Panel	325700-001
TFT5000S Flat Panel	122729-001
P1610 Color	305708-001
P110 Color	325600-001
P75 Color	307806-001
V1000 Color	351757-001
V900 Color	303500-001
V700 Color	325800-001
V500 Color	325900-001
S900 Color	360562-001
S700 Color	360512-001

Graphics

4-MB 100-MHz SGRAM SODIMM (to support the ATI RAGE PRO TURBO AGP 2X)	294227-B21
12-MB WRAM Module (to support the Matrox MGA Millennium II Graphics Controller)	270833-B21
4-MB WRAM Module (to support the Matrox MGA Millennium II Graphics Controller)	270831-B21
Matrox Millennium G200 AGP Graphics Controller (with 8-MB SGRAM)	294308-B21
8-MB 143-MHz R.92 SGRAM Video Memory Module (to support the Matrox Millennium G200 AGP Graphic Controller)	294417-B21

Removable Storage

SuperDisk LS-120 Drive	185061-B22
ZIP 250 High-Capacity Floppy Drive	294416-001
ZIP 100 High-Capacity Floppy Drive	294402-B21
ZIP 100 Media 3-Pack Kit	127591-B21
TR5 10/20 GB IDE Tape Drive	294243-B21
TR5 10/20 GB Media Pack	125782-B21

Optical Drives

40X Max ⁹ CD-ROM Drive	388116-B21
52X TrueX CD-ROM Drive	120192-B21
DVD-ROM G3 Drive	294406-B21
DVD-ROM Hardware Decoder	294422-B21
4X/2X/24X CD-RW Optical Kits	124727-001

Hard Drives

Smart II Ultra ATA Hard Drives

22.6-GB ⁶ SMART III Ultra ATA 66 Hard Drive	120203-B21
20-GB ⁶ SMART II Ultra ATA 66 Hard Drive	124724-001
13.5-GB ⁶ SMART II Ultra ATA 66 Hard Drive	124723-001
10-GB ⁶ SMART II Ultra ATA 66 Hard Drive	127452-001
6.4-GB ⁶ SMART II Ultra ATA 66 Hard Drive	124721-001

Smart II Wide UltraSCSI Hard Drives

18.2-GB ⁶ SMART II Ultra3 SCSI Hard Drive ¹⁰	147503-B21
9.1-GB ⁶ SMART II Wide UltraSCSI Hard Drive ¹⁰	294246-B21
4.3-GB ⁶ SMART II Wide UltraSCSI Hard Drive ¹⁰	294371-B21

Options

Storage Controllers/Cables

Wide Ultra2 SCSI Controller	124720-B21
Wide UltraSCSI Controller	294311-B21
Ultra ATA Cable Kit ¹¹	294162-B21
Ultra Narrow SCSI Cable Kit	294162-B21
68-250-Pin SCSI Adapter	270187-B21

Security

Fingerprint Identification Technology	294307-001
Smart Card Keyboard with reader	115506-006
Smart Card reader	113771-B21
Enhanced Smart Card Keyboard with reader	115504-006
Enhanced Smart Card reader	113784-B21

Multimedia

40X Max ⁹ Premier•Sound Multimedia Kit	388551-001
Compaq Microphone Kit	103589-B21
Sound Blaster PCI Audio 164V Kit	388550-001
Sound Blaster PCI Audio 64V Kit	387472-B21
32X Max ⁵ Premier•Sound Multimedia Kit	294296-001
Compaq Premier•Sound PS110 Speakers	294372-001

Communications

Intel Pro/100+ Management Adapter	127453-B21
Intel Pro/100+ Management Adapter (5 pack)	127453-B22
Intel Pro/100+ Management Adapter (20 pack)	127456-B23
Intel Pro/100+ Management Adapter (80 pack)	127453-B24
Serial/ECP Parallel Interface Board	294293-B21
Compaq NC3121 Fast Ethernet NIC PCI 10/100 WOL	323551-B21
Compaq NC 4621 Token Ring NIC PCI 4/16 WOL	379956-B21
Compaq 10/100 TX PCI Intel UTP Controller	317600-B21
Compaq 10 T PCI Intel UTP Controller	317356-B21
Compaq 16/4 TR PCI IBM UTP/STP Controller	301206-B21
Compaq 16/4 TR ISA IBM UTP/STP Controller	301207-B21
Compaq 56K ¹² ISA Fax Modem (V.90)	294900-002

Mouse

Compaq Microsoft Intellimouse	294306-B21
-------------------------------	------------

Support Software CD

Annual Subscription	183426-xxx
Single CD-ROM (current month)	272505-001

Memory

Compaq Deskpro EN Series Desktop Model 6400X without a NIC and C400/4300

STANDARD MEMORY

32-MB DIMM Standard

Standard	Slot		
	1	2	3
32 MB	32 MB	Empty	Empty

STANDARD MEMORY PLUS

OPTIONAL MEMORY

Support for up to 544 MB of SDRAM DIMM memory is available with the installation of optional SDRAM Memory Kits.

Up To	Slot		
	1	2	3
544 MB	32 MB	256 MB	256 MB

STANDARD MEMORY REPLACED

WITH OPTIONAL MEMORY

Support for up to 768 MB of SDRAM DIMM memory is available with the removal of the standard 32-MB DIMM and the installation of optional SDRAM Memory Kits³.

Up To	Slot		
	1	2	3
768 MB	256 MB	256 MB	256 MB

Note: It is not necessary to add memory in pairs or kits. Memory upgrades are accomplished by adding single or multiple DIMMs of the same or varied sizes. This chart does not represent all possible memory configurations.

Following are memory options available from Compaq for the Deskpro EN Series Desktop:

100-MHz SDRAM DIMMs:

- 256-MB Memory Kit (1 x 256-MB SDRAM DIMM, 100 MHz) 102306-B21
- 128-MB Memory Kit (1 x 128-MB SDRAM DIMM, 100 MHz) 166614-B21
- 64-MB Memory Kit (1 x 64-MB SDRAM DIMM, 100 MHz) 166613-B21
- 32-MB Memory Kit (1 x 32-MB SDRAM DIMM, 100 MHz) 166612-B21
- 16-MB Memory Kit (1 x 16-MB SDRAM DIMM, 100 MHz) 166611-B21
- 256-MB Memory Kit (1 x 256-MB SDRAM ECC, 100 MHz) 102307-B21
- 128-MB Memory Kit (1 x 128-MB SDRAM ECC, 100 MHz) 166618-B21
- 256-MB Memory Kit (1 x 256-MB SDRAM ECC, 100 MHz) 102307-B21
- 64-MB Memory Kit (1 x 64-MB SDRAM ECC, 100 MHz) 166617-B21
- 32-MB Memory Kit (1 x 32-MB SDRAM ECC, 100 MHz) 166616-B21
- 16-MB Memory Kit (1 x 16-MB SDRAM ECC, 100 MHz) 166615-B21

Memory

Compaq Deskpro EN Series Desktop Model 6600+/10000/CDS, 6600+/10000, 6500+/10000/CDS, 6550+/6400, 6450+/9100/CDS, 6450+/6400, 6450X/10000/CDS, 6400X/6400/CDS, 6400X/4300/CDS, C500/6400 and C400/6400

STANDARD MEMORY

64-MB DIMM Standard

Standard	Slot		
	1	2	3
64 MB	64 MB	Empty	Empty

STANDARD MEMORY PLUS

OPTIONAL MEMORY

Support for up to 576 MB of SDRAM DIMM memory is available with the installation of optional SDRAM Memory Kits.

Up To	Slot		
	1	2	3
576 MB	64 MB	256 MB	256 MB

STANDARD MEMORY REPLACED

WITH OPTIONAL MEMORY

Support for up to 768 MB of SDRAM DIMM memory is available with the removal of the standard 64-MB DIMM and the installation of optional SDRAM Memory Kits³.

Up To	Slot		
	1	2	3
768 MB	256 MB	256 MB	256 MB

Note: It is not necessary to add memory in pairs or kits. Memory upgrades are accomplished by adding single or multiple DIMMs of the same or varied sizes. This chart does not represent all possible memory configurations.

Following are memory options available from Compaq for the Deskpro EN Series Desktop:

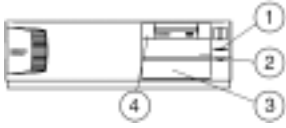
100-MHz SDRAM DIMMs:

- 256-MB Memory Kit (1 x 256-MB SDRAM DIMM, 100 MHz) 102306-B21
- 128-MB Memory Kit (1 x 128-MB SDRAM DIMM, 100 MHz) 166614-B21
- 64-MB Memory Kit (1 x 64-MB SDRAM DIMM, 100 MHz) 166613-B21
- 32-MB Memory Kit (1 x 32-MB SDRAM DIMM, 100 MHz) 166612-B21
- 16-MB Memory Kit (1 x 16-MB SDRAM DIMM, 100 MHz) 166611-B21
- 256-MB Memory Kit (1 x 256-MB SDRAM ECC, 100 MHz) 102307-B21
- 128-MB Memory Kit (1 x 128-MB SDRAM ECC, 100 MHz) 166618-B21
- 64-MB Memory Kit (1 x 64-MB SDRAM ECC, 100 MHz) 166617-B21
- 32-MB Memory Kit (1 x 32-MB SDRAM ECC, 100 MHz) 166616-B21
- 16-MB Memory Kit (1 x 16-MB SDRAM ECC, 100 MHz) 166615-B21

QUICKSPECS

Compaq Deskpro EN Series
Desktop

Storage



DRIVE SUPPORT

	Quantity Supported ¹³	Position Supported	Controller
Removable Media			
1.44-MB Diskette Drive	1	4	Floppy
SuperDisk LS-120 Drive	3	4,2,3	IDE
ZIP 100 High-Capacity Floppy	2	2,3	IDE
DVD-ROM Drive	2	2,3	IDE
32X Max ⁹ CD-ROM Drive	2	2,3	IDE
6X CD-RW Drive	2	2,3	IDE
Hard Drives			
16.8-GB ⁶ SMART II Ultra ATA Hard Drive	3	1,2,3	Ultra ATA
10-GB ⁶ SMART II Ultra ATA Hard Drive			
8.4-GB ⁶ SMART II Ultra ATA Hard Drive			
6.4-GB ⁶ SMART II Ultra ATA Hard Drive			
4.3-GB ⁶ SMART II Ultra ATA Hard Drive			
3.2-GB ⁶ SMART II Ultra ATA Hard Drive			
9.1-GB ⁶ SMART II Wide UltraSCSI Hard Drive ¹⁰	3	1,2,3	Wide UltraSCSI (PCI)
4.3-GB ⁶ SMART II Wide UltraSCSI Hard Drive ¹⁰			

Technical Specifications

System Unit

Dimensions (HxWxD)	5.88 x 19.16 x 17.1 in/14.94 x 48.66 x 43.44 cm
Weight (approximate)	40 lbs/18.1 kg
Weight Supported	32 lbs/14.56 kg
Power Supply	
Operating Voltage Range	90 to 132 VAC/180 to 264 VAC
Rated Voltage Range	100 to 120 VAC/220 to 240 VAC
Rated Line Frequency	47 to 63 Hz
Rated Input Current	5.5A
Maximum Rated Power	200W
Temperature	
Operating	50° to 95°F/10° to 35°C
Non-operating	-4° to 140°F/-20° to 60°C
Humidity (non-condensing)	
Operating	20% to 80%
Non-operating	5% to 95%
Maximum Altitude (unpressurized)	
Operating	10,000 ft/3,048 m
Non-operating	30,000 ft/9,144 m
Maximum Rate of Change	1,500 feet per minute/457 meters per minute

Enhanced Keyboard

Dimensions (HxWxD)	1.5 x 18 x 6.5 in/3.81 x 45.72 x 16.51 cm
Weight	3.15 lbs/1.59 kg

1.44-MB Diskette Drive

Diskette Size	3.5 in
LED Indicators	Green
Read/Write Capacity per Diskette (high/low density)	1.44 MB/720 KB
Drive Height	1 in
Drive Rotation	300 rpm
Transfer Rate (high/low density)	500/250 Kb/s
Bytes/Sector	512
Sectors/Track (high/low density)	18/9
Tracks/Side (high/low density)	80/80
Seek Time	
Track-to-Track (high/low density)	3/6 ms
Average (high/low)	94/173 ms
Settling Time	15 ms
Latency Average	100 ms
Cylinders (high/low)	80/80
Read/Write Heads	2

QUICK SPECS

Compaq Deskpro EN Series
Desktop

Technical Specifications

SMART II Ultra ATA 66 Hard Drives

6.4 GB⁶	Capacity	6400 MB	Seek Time (typical reads, including settling)	
	Height	1 in/25.4 mm	Single Track	<1.3 ms
	Width	3.5 in/88.9 mm	Average	9.0 ms
	Interface	Ultra ATA 66	Full-Stroke	20 ms
	Transfer Rate		Rotational Speed	5400 rpm
	Synchronous (Maximum)	66.6 MB/s	Physical Configuration	
			Bytes/Sector	512
			Logical Blocks	12,594,960
			Operating Temperature 41° to 131°F/5° to 55°C	

SMART II Ultra ATA Hard Drives

10 GB⁶	Capacity	10,000 MB	Seek Time (typical reads, including settling)	
	Height	1 in/25.4 mm	Single Track	1.4 ms
	Width	3.5 in/88.9 mm	Average	9.4 ms
	Interface	Ultra ATA	Full-Stroke	18.6 ms
	Transfer Rate		Rotational Speed	5400 rpm
	Synchronous (Maximum)	33.3 MB/s	Physical Configuration	
			Bytes/Sector	512
			Logical Blocks	20,005,650
			Operating Temperature 41° to 113°F/5° to 45°C	

6.4 GB⁶	Capacity	6400 MB	Seek Time (typical reads, including settling)	
	Height	1 in/25.4 mm	Single Track	1.3 ms
	Width	3.5 in/88.9 mm	Average	9.7 ms
	Interface	Ultra ATA	Full-Stroke	19.7 ms
	Transfer Rate		Rotational Speed	5400 rpm
	Synchronous (Maximum)	33.3 MB/s	Physical Configuration	
			Bytes/Sector	512
			Logical Blocks	12,594,960
			Operating Temperature 41° to 113°F/5° to 45°C	

4.3 GB⁶	Capacity	4300 MB	Seek Time (typical reads, including settling)	
	Height	1 in/25.4 mm	Single Track	1.3 ms
	Width	3.5 in/88.9 mm	Average	9.9 ms
	Interface	Ultra ATA	Full-Stroke	19.7 ms
	Transfer Rate		Rotational Speed	5400 rpm
	Synchronous (Maximum)	33.3 MB/s	Physical Configuration	
			Bytes/Sector	512
			Logical Blocks	8,421,840
			Operating Temperature 41° to 113°F/5° to 45°C	

QUICK SPECS

Compaq Deskpro EN Series
Desktop

Technical Specifications

SMART II Wide UltraSCSI Hard Drives

9.1 GB⁶	Capacity	9100 MB	Seek Time (typical reads, including settling)	
	Height	1 in/25.4 mm	Single Track	0.76 ms
	Width	3.5 in/88.9 mm	Average	7.5 ms
	Interface	Wide UltraSCSI	Full-Stroke	15 ms
	Transfer Rate		Rotational Speed	7200 rpm
	Synchronous (Maximum)	40 MB/s	Physical Configuration	
			Bytes/Sector	512
			Logical Blocks	17,773,500
			Operating Temperature 41° to 113°F/5° to 45°C	

4.3 GB⁶	Capacity	4300 MB	Seek Time (typical reads, including settling)	
	Height	1 in/25.4 mm	Single Track	0.76 ms
	Width	3.5 in/88.9 mm	Average	7.5 ms
	Interface	Wide UltraSCSI	Full-Stroke	15 ms
	Transfer Rate		Rotational Speed	7200 rpm
	Synchronous (Maximum)	40 MB/s	Physical Configuration	
			Bytes/Sector	512
			Logical Blocks	8,386,000
			Operating Temperature 41° to 113°F/5° to 45°C	

32X Max⁵ Trayload CD-ROM Drive

Disk	
Applicable Disk	CD-ROM (Mode 1 and 2), CD-DA, CD-XA Ready Photo CD (Single and Multi-session), Mixed Mode (Audio and Data combined), CDI Ready
Capacity	650 MB
Block Size	2,048 bytes (Mode 1) 2,340, 2,336 bytes (Mode 2) 2,352 bytes (CD-DA) 2,328 bytes (CD-XA)
Rotational Speed	5,200 rpm maximum
Diameter	12 cm, 8 cm
Center Hole	15 mm
Thickness	1.2 mm
Track Pitch	1.6 µm
Interface	IDE
Access Time (typical)	
Random	< 100 ms
Full-Stroke	< 150 ms
Audio Output Level	
Line-Out	0.7 V @ 47 k ohm
Headphone	0.6 V @ 32 ohm
Data Transfer Rate	
Sustained	150 KB/s (single)
Variable	1800 to 4800 KB/s
Cache Buffer	128 KB

QUICK SPECS

Compaq Deskpro EN Series
Desktop

Technical Specifications

32X Max⁵ Trayload
CD-ROM Drive (continued)

Start-up Time	< 7 sec
Stop Time	< 4 sec
Laser Parameters	
Type	Semiconductor Laser ConA1 As
Wave Length	780 ± 25 nm
Divergence Angle	53.5° ± 1.5°
Output Power	0.14mW
Operating Conditions	
Temperature	41° to 113°F/5° to 45°C
Humidity	10% to 80%
Dimensions (HxWxD, maximum)	1.69 x 5.91 x 8.2 in/4.29 x 15.01 x 20.8 cm
Weight	2.65 lbs/1.2 kg

Intel PRO/100+
Management Adapter

Network Interface	10/100 Base TX
Expansion Bus Architecture	PCI 2.2
Network Transfer Rate	
10Base-T (Half-Duplex)	10 Mb/s
10Base-T (Full-Duplex)	20 Mb/s
100Base-TX (Half-Duplex)	100 Mb/s
100Base-TX (Full-Duplex)	200 Mb/s
Connectors	RJ-45
Standards Compliance	
10-MB/s Ethernet	IEEE 802.3
100-MB/s Ethernet	IEEE 802.3u
Remote Wakeup	Yes
Temperature	
Operating	32° to 131°F/0° to 55°C
Humidity (non-condensing)	
Operating	85% at +131°F /+55°C
Altitude	
Operating	10,000 ft/3,048 m
Communication Processor	Intel 82559
OS Driver Support	
MS Windows NT 3.51 and 4.0	NDIS 3.0, 4.0 Compliant
MS Windows 95, 98, 2000 Beta	NDIS 3.0, 4.0, 5.0 Compliant
Novell NetWare Server v. 3.x, 4.x and 5.0	ODI Compliant
SunSoft Solaris	Not supported
SCO UnixWare, OpenDesktop, OpenServer	Supported

Technical Specifications

Compaq 10/100 TX PCI
Intel WOL UTP
Controller⁴

Network Interface	10/100 Base TX
Expansion Bus Architecture	32-bit PCI bus-master
Network Transfer Rate	
10Base-T (Half-Duplex)	10 Mb/s
10Base-T (Full-Duplex)	20 Mb/s
100Base-TX (Half-Duplex)	100 Mb/s
100Base-TX (Full-Duplex)	200 Mb/s
Connectors	RJ-45
Standards Compliance	
10 Mb/s Ethernet	IEEE 802.3
100 Mb/s Ethernet	IEEE 802.3u
I/O Address	Auto-configured
Remote Wakeup	Yes
Temperature	
Operating	50° to 95°F/10° to 35°C
Non-operating	50° to 122°F/10° to 50°C
Shipping	86° to 122°F/30° to 50°C
Humidity (non-condensing)	
Operating	10% to 90%
Non-operating	10% to 90%
Shipping	20% to 80%
Altitude	
Operating	10,000 ft/3,048 m
Non-operating	30,000 ft/9,144 m
Shipping	10,118 ft/3,084 m
Communication Processor	Intel 82558
OS Driver Support	
MS Windows NT Server and Workstation v. 3.51	NDIS 3.0 Compliant
MS Windows NT Workstation 4.0	NDIS 4.0 Compliant
MS Windows 95 (OSR2)	NDIS 2.0, 3.0/4.0 Compliant
WFW v.3.11	NDIS 3.0 Compliant
MS LAN Manager	NDIS 2.0 Compliant
Novell NetWare Server v. 3.x, 4.x	ODI Compliant
Novell NetWare DOS	ODI Compliant
IBM OS/2 v. 2.x, 3.x, 4.x ¹⁴ , WARP, SMP	OS/2 NDIS 2.0 Compliant
IBM OS/2 NetWare Requestor v.2.x, 3.x	ODI Compliant

QUICKSPECS

Compaq Deskpro EN Series
Desktop

Technical Specifications

ATI RAGE PRO TURBO AGP 2X Graphics Controller

	8-MB SGRAM	
	Colors Supported	Refresh Rate
Resolution (maximum)	16.7M	85 Hz
1280 x 1024		
Acceleration	3 ROP BitBLT, Line Draw, Text, Color Expansion, Basic Video Color, Conversion and Scaling and Triangle Setup Engine	
Memory	4-MB SGRAM, upgradable to 8 MB	

ATI RAGE PRO TURBO AGP 2X Graphics Controller

	8-MB SDRAM	
	Colors Supported	Refresh Rate
Resolution (maximum)	16.7M	85 Hz
1280 x 1024		
Acceleration	3 ROP BitBLT, Line Draw, Text, Color Expansion, Basic Video Color, Conversion and Scaling and Triangle Setup Engine	
Memory	8-MB SDRAM, not upgradable	

ATI RAGE PRO TURBO AGP Graphics Controller

	4-MB SGRAM	
	Colors Supported	Refresh Rate
Resolution (maximum)	16.7M	85 Hz
1280 x 1024		
Acceleration	3 ROP BitBLT, Line Draw, Text, Color Expansion, Basic Video Color, Conversion and Scaling and Triangle Setup Engine	
Memory	4-MB SGRAM, not upgradable	

Integrated Intel 3D Graphics Controller

	4-MB Display Cache (or 8-MB equivalent performance)	
	Colors Supported	Refresh Rate
Resolution (Maximum)	16.7M	85 Hz
1280 x 1024		
Acceleration	3 ROP biBLT, Line Draw, Text, Color Expansion, Basic Video Color, Conversion and Scaling, Triangle Setup Engine	
Memory	4-MB Display Cache (or 8-MB equivalent performance), not upgradable	

¹ Certain restrictions and exclusions apply. Consult the Compaq Customer Support Center for details.

² AssetControl monitor. AssetControl features are accessible with Compaq desktops featuring Intelligent Manageability.

³ ROM upgrade may be required if the total memory in the system exceeds 640 MB.

⁴ Also known as the Compaq NC3121 PCI 10/100 WOL (Wake-on-LAN) Fast Ethernet NIC.

⁵ Data transfer rates will vary from 150 KB/s to 4800 KB/s.

⁶ For Hard Drives, GB = Billion Bytes.

⁷ There is no exchange or return program available for replacing standard memory.

⁸ Bulk memory skus are priced individually but must be ordered in lots of 50. Only orders of 50 are accepted.

⁹ Data transfer rates will vary from 150 KB/s to 6,000 KB/s.

¹⁰ Requires a SCSI controller.

¹¹ Use this kit for optimum performance with multiple Ultra ATA hard drives.

¹² Designed only to allow faster downloads from K56flex compliant sources. Maximum achievable download transmission rates currently do not reach 56 Kbps and will vary with line conditions. Modem only works with Windows 9.x and Windows NT.

¹³ Quantity Supported refers to the maximum number of devices the chassis can support.

¹⁴ Not all product features are supported in the OS.